

AVC-BLHN31SVT

3MP H.265 HD INFINITE-STAR™ IP BULLET CAMERA

3MP H.265 HD INFINITE-STAR™ IP BULLET CAMERA

3MP H.265 HD IP BULLET CAMERA WITH INFINITE-STAR™ FEATURES



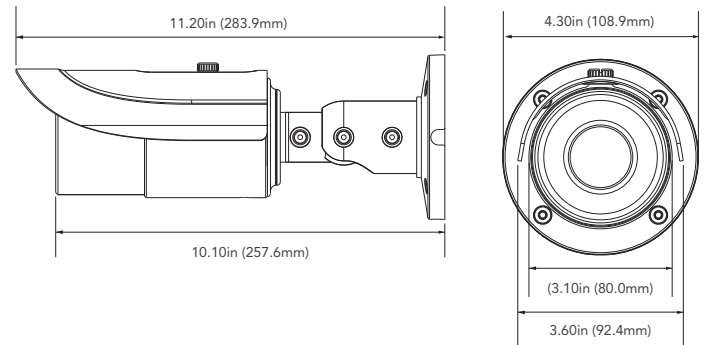
The AVC-BLHN31SVT is a 3MP H.265 HD IP Bullet Camera with Infinite-Star™ technology and a motorized 7mm - 22mm varifocal lens. This camera supports True Day/Night mode with IR illumination up to 229ft., True WDR capabilities, and also includes a microSD memory card slot with up to 128GB for standalone recording applications. The AVC-BLHN31SVT can be powered by both PoE(802.3af) and DC12V, supports two-way audio, and alarm input and output. This camera is weather-proof with an IP66 Outdoor Rating.

FUNCTIONS

- H.265 Video Compression Technology
- 3MP (2048 x 1536) @30fps Full Real Time Encoding
- Maximum Resolution: 2048 x 1536
- 1/3" 3MP Aptina Sensors
- Motorized 7mm - 22mm Varifocal Lens
- True Day & Night ICR with Infinite-Star Technology™
- Up to 229ft. Night Time Viewing Distance
- True WDR
- Supports 3D DNR, ROI Coding, Sharpness, Noise Reduction
- Supports Two-Way Audio
- Supports Alarm Output and Input
- Built-in Micro SD Card Slot Up to 128GB
- Supports Local CVBS / Analog Video Output (BNC)
- Supports Remote Monitoring & Browser Control
- IP66 Outdoor Rating
- DC12V / PoE, <6W (IR ON)

DIMENSIONS

Unit : inch (mm)



AVC-BLHN31SVT
3MP H.265 HD INFINITE-STAR™ IP BULLET CAMERA

SPECIFICATIONS

CAMERA	
Image Sensor	1/2.8" Aptina CMOS
Resolution	3MP
Image Size	2048 x 1536
Electronic Shutter	1/25s to 1/100,000s
IR LEDs	10 EX-IR
IR Distance	Up to 229ft. (70m)
Min. Illumination	0.01luxF1.2(AGC ON), 0Lux with IR ON
Lens	Motorized 7mm - 22mm Varifocal Lens
Lens Mount	Ø14
VIDEO STREAM	
Max. Image Resolution	2048 x 1536
Primary Stream	60 Hz: (2048 x 1536, 1920 x 1080, 1280 x 720) @ 30fps 50 Hz: (2048 x 1536, 1920 x 1080, 1280 x 720) @ 25fps
Supported Resolutions	3MP / 1080P / 720P / D1 / CIF
Video Compression	H.265 / H.264 / MJPEG
Video Bit Rate	64Kbps~8Mbps (CBR / VBR Adjustable)
IMAGE SETTINGS	
Wide Dynamic Range	True WDR (120dB)
Digital NR	Yes (2D / 3D DNR)
ROI	Yes
Sharpness	Yes
Noise Reduction	Yes
Saturation	Yes
Brightness	Yes
NETWORK	
Ethernet	1 x RJ45 10M / 100M Ethernet Port
Network Storage	Network Remote Storage
Remote Monitoring	Web Browser Interface, AVYCON CVMS / CVMS 2.0
Protocol	TCP/IP, UDP, DHCP, NTP, RTSP, PPPOE, DDNS, SMTP, FTP
SYSTEM	
Alarm	1/1
Local Storage	Built-in Micro SD Card Slot; Up to 128 GB
Audio Output	Mic-Out x 1
GENERAL	
RS-485	Yes
Input Voltage	DC 12V / PoE
Power Consumption	<6W (IR ON), <2.5 (IR OFF)
Ingress Protection	IP66
Working Environment	-4°~122° F (-20°~50° Celcius)
Working Humidity	10%~90% (Non-Condensing)
Weight	3.5lbs
Dimensions	Ø4.30in" x 11.20in" (Ø108.9mm x 283.9mm)



AVYCON®

Copyright © AVYCON. All rights reserved. Specifications and pricing are subject to change without notice.

phone: 949-752-7606

email: info@avycon.com

social: @avycon_aivo

website: avycon.com